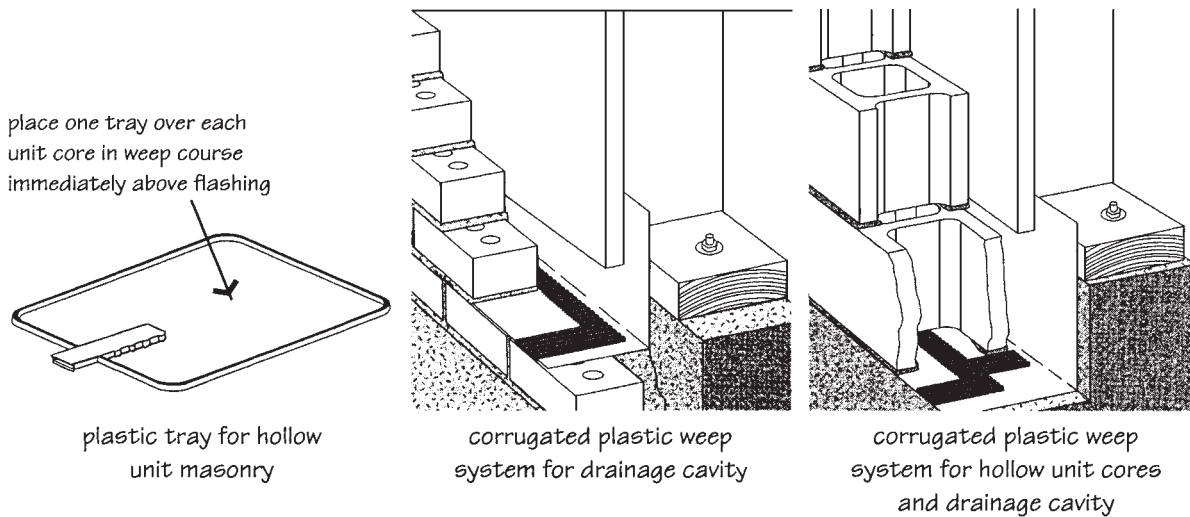


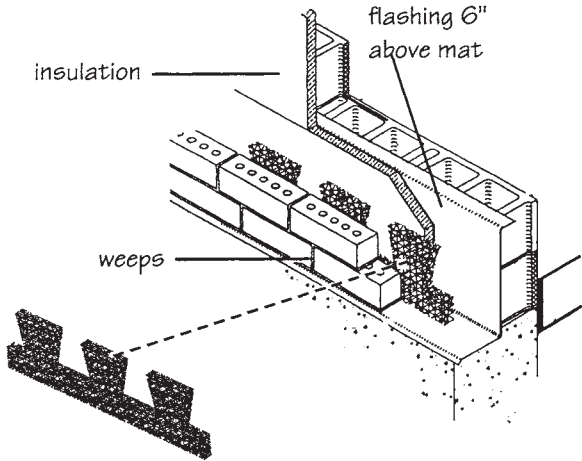
Comparison of Most Common Weep Types			
Weep Type	Advantages	Disadvantages	Recommended Spacing (in.o.c.)
Open head joint	Maximum drainage rate, ventilation	Appearance, insect intrusion	24 (brick) 32 (block)
Open joint with insert	Good drainage rate	Extra cost	24 (brick) 32 (block)
Cotton rope wick	Appearance	Slower drainage	16 (brick only)
Plastic tube	Appearance	Easily blocked	16 (brick only)



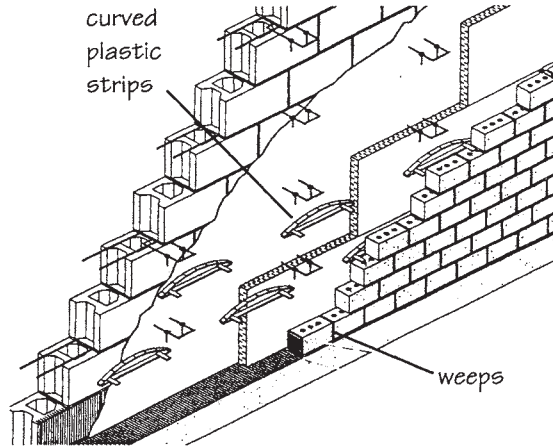
EXAMPLES OF PROPRIETARY WEEP SYSTEMS

Figure 7-28 Weep accessories.

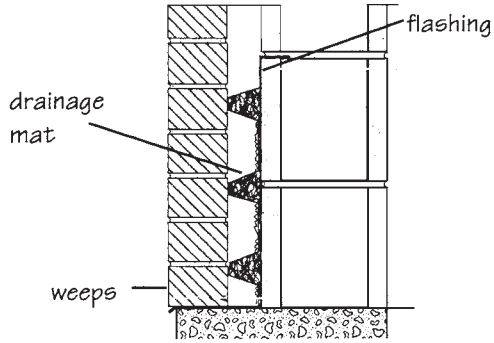
Cotton wicks are used to form another type of weep system. A 1/4- to 3/8-in.-diameter rope is installed in the joints at 16 in. on center. The rope should be 8 to 10 in. long, and extend through the veneer face and up into the cavity well above the height of any mortar droppings. Moisture in the cavity is absorbed by the cotton material and wicked to the outside face of the wall,



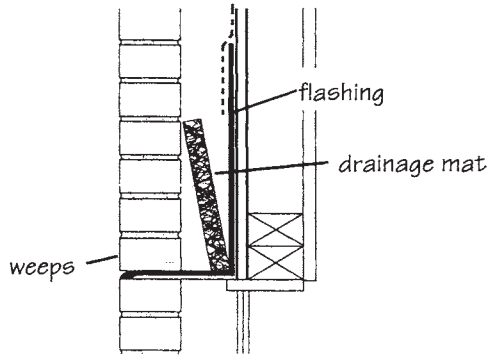
ARTICULATED WOVEN FILAMENT



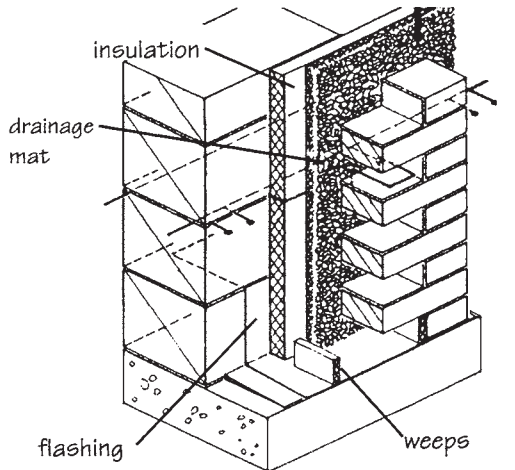
PLASTIC DIVERTER STRIPS



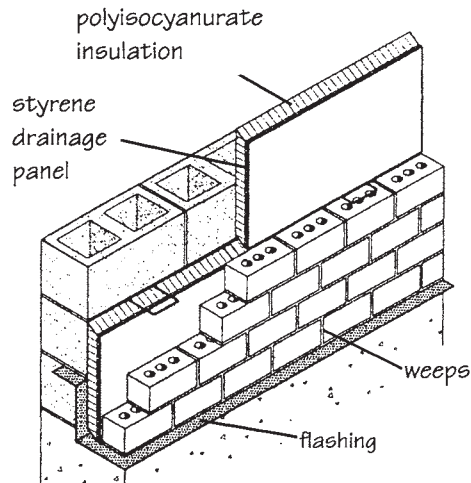
WOVEN FILAMENT MAT WITH STAGGERED PROTRUSIONS



FLAT WOVEN FILAMENT MAT



WOVEN FILAMENT MAT ADHERED TO POLYSTYRENE INSULATION



POLYISOCYANURATE INSULATION WITH ADHERED DRAINAGE PANEL

Figure 7-29 Drainage accessories.